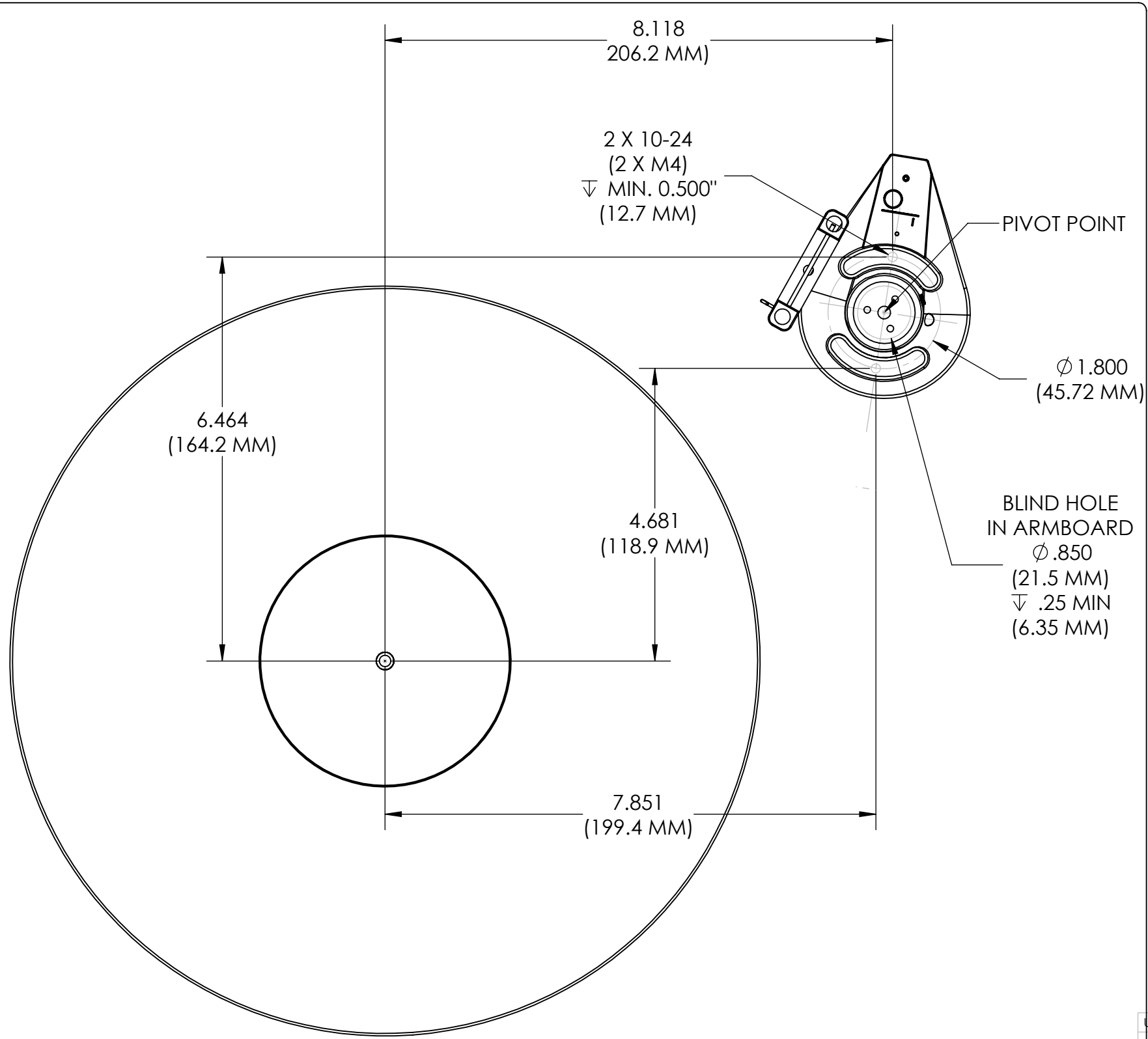


8 7 6 5 4 3 2 1

D  
C  
B  
A



2 X 10-24  
(2 X M4)  
▽ MIN. 0.500"  
(12.7 MM)

PIVOT POINT

Ø 1.800  
(45.72 MM)

BLIND HOLE  
IN ARMBOARD  
Ø .850  
(21.5 MM)  
▽ .25 MIN  
(6.35 MM)

8.118  
(206.2 MM)

6.464  
(164.2 MM)

4.681  
(118.9 MM)

7.851  
(199.4 MM)

UNLESS OTHERWISE SPECIFIED:

DIMENSIONS ARE IN INCHES  
TOLERANCES:  
FRACTIONAL ±  
ANGULAR: MACH ± BEND ±  
TWO PLACE DECIMAL ±  
THREE PLACE DECIMAL ± .005

INTERPRET GEOMETRIC  
TOLERANCING PER:  
MATERIAL  
FINISH  
DO NOT SCALE DRAWING

DATE	28 APRIL 2014
DRAWN	
CHECKED	
ENG APPR.	
MFG APPR.	
Q.A.	
COMMENTS:	

**PROPRIETARY AND CONFIDENTIAL**  
THE INFORMATION CONTAINED IN THIS  
DRAWING IS THE SOLE PROPERTY OF  
DURAND TONEARMS LLC. ANY  
REPRODUCTION IN PART OR AS A WHOLE  
WITHOUT THE WRITTEN PERMISSION OF  
DURAND TONEARMS LLC IS  
PROHIBITED.

DURAND TONEARMS LLC

TITLE:  
**KAIROS  
MOUNTING HOLES  
POSITIONS**

SIZE	DWG. NO.	REV
<b>B</b>		
SCALE: 1:2	WEIGHT:	SHEET 1 OF 1

8 7 6 5 4 3 2 1