

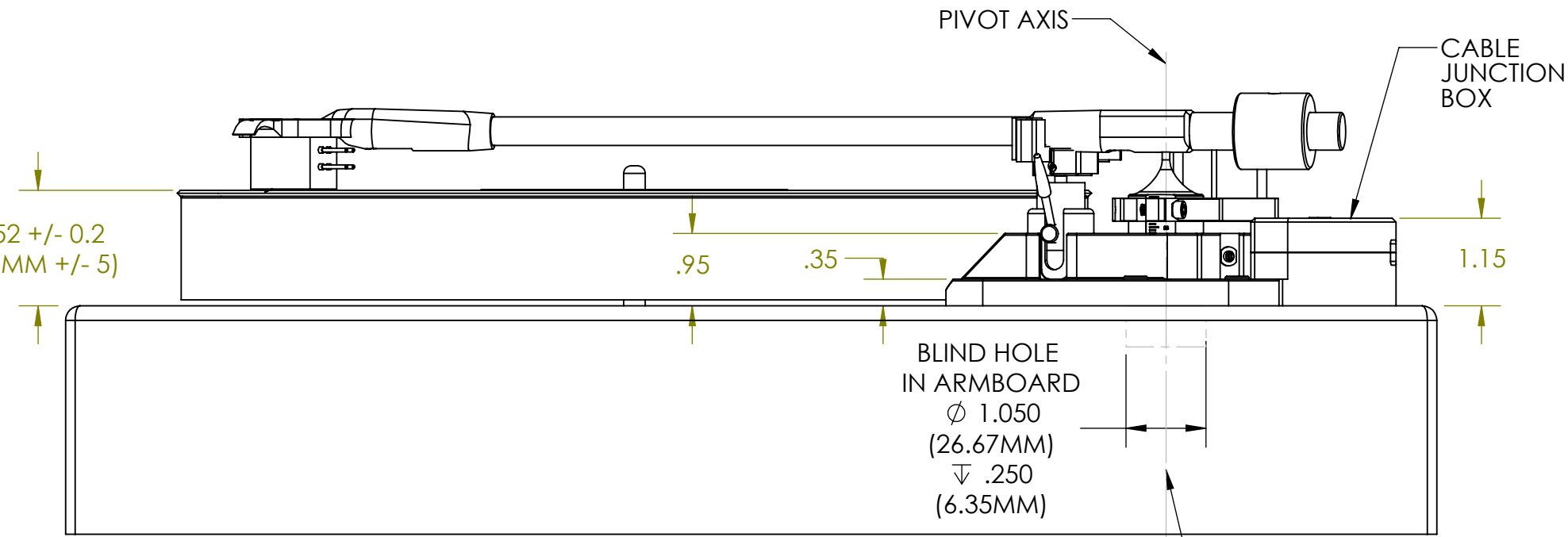
8 7 6 5 4 3 2 1

D
C
B
A

D
C
B
A

DIMENSION FOR
TELOS WITH COMPOSITE ARMWAND:
FOR TELOS WITH WOODEN ARMWAND,
SUBTRACT 5 MM

1.52 +/- 0.2
(35 MM +/- 5)



BLIND HOLE
IN ARMBOARD
Ø 1.050
(26.67MM)
↓ .250
(6.35MM)

If possible, thru hole
threaded 1/4-20 (or M6)
(see main drawing);
NOTE! Only if hole can be
readily accessible by user
from under armboard!
Needs ca. 4" clearance
under armboard

UNLESS OTHERWISE SPECIFIED:

DIMENSIONS ARE IN INCHES
TOLERANCES:
FRACTIONAL ±
ANGULAR: MACH ± BEND ±
TWO PLACE DECIMAL ±
THREE PLACE DECIMAL ± .005

INTERPRET GEOMETRIC
TOLERANCING PER:

MATERIAL

FINISH

DO NOT SCALE DRAWING

DATE	14 FEB 2014
DRAWN	
CHECKED	
ENG APPR.	
MFG APPR.	
Q.A.	
COMMENTS:	

DURAND TONEARMS LLC		
TITLE: TURNTABLE ASSEMBLY WITH TELOS SIDE VIEW		
SIZE B	DWG. NO.	REV
SCALE: 1:2	WEIGHT:	SHEET 1 OF 1

PROPRIETARY AND CONFIDENTIAL
THE INFORMATION CONTAINED IN THIS
DRAWING IS THE SOLE PROPERTY OF
DURAND TONEARMS LLC. ANY
REPRODUCTION IN PART OR AS A WHOLE
WITHOUT THE WRITTEN PERMISSION OF
DURAND TONEARMS LLC IS
PROHIBITED.

8 7 6 5 4 3 2 1